



### Main

Range of product	Harmony iPC
Product or component type	Multi-touch screen
Processor name	Intel Core i3 4010U at 1.7 GHz
Chipset type	Intel QM87
Free slots	1 Internal SATA HDD/SSD 1 CFAST
Display size	18.5 inch
Display colour	16777216 colors
Luminance	300 cd/m <sup>2</sup>
Pixel resolution	4096 x 4096
Video controller type	Intel HD Graphics 4400
Operating system	Windows 10 IoT Enterprise 64 bit multi-language
Software package	EcoStruxure secure connect advisor annual subscription cyber security license not included EcoStruxure Operator Terminal Expert run time HMI license not included EcoStruxure Machine SCADA Expert run time HMI/SCADA on configured offer only EcoStruxure augmented operator advisor server augmented operator license not included

### Complementary

Number of points	5
Terminal type	Touchscreen display
Memory type	8 GB RAM DDR3 internal
Data storage equipment	500 GB back side enterprise hard disk
Aspect ratio	16:9
Display type	LED Colour TFT LCD
Display resolution	1366 x 768 pixels WXGA
Backlight lifespan	50000 hours
View angle horizontal x vertical	160 x 170°
Touch panel	Projected capacitive technology (PCT)
Type of cooling	Passive Fanless
Watchdog timer	1...255 ms

Disclaimer: This documentation is not intended as a substitute for and is not to be used for determining suitability or reliability of these products for specific user applications

Number of slots	1 mini PCI Express full-size
[Us] rated supply voltage	24 V DC +/- 20 % 100...240 V AC with additional adaptor HMIYPSPMAC1
Power consumption in W	28...60 W
Mechanical robustness	Hardness anti-scratch 7H
Function available	Operate with water on screen
Width	488 mm
Height	309 mm
Depth	56.7 mm
Cut-out dimensions	479.3 (+/- 1) x 300.3 (+/- 0.7)
Net weight	7 kg
Display size	19" wide multi-touch
Main type	Performance

## Environment

IP degree of protection	IP66 front panel:
Product certifications	RCM CCC EAC AS/NZS C-Tick CE
Standards	IEC 61000-6-4 CSA C22.2 No 60950 CISPR 11 UL 60950 FCC part 15 class A IEC 60950 IEC 61000-6-2
Directives	2011/65/EU - RoHS directive 2004/108/EC - electromagnetic compatibility 2012/19/EU - WEEE directive 1907/2006/EC - REACH directive 2006/95/EC - low voltage directive
Pollution degree	2
Ambient air temperature for operation	0...55 °C SSD 0...55 °C Cfast card 0...45 °C HDD
Ambient air temperature for storage	-20...60 °C
Relative humidity	10...95 % non-condensing
Operating altitude	2000
Vibration resistance	1 gn (f = 5...500 Hz)HDD

## Packing Units

Package 1 Weight	7.000 kg
Package 1 Height	56.000 mm
Package 1 width	309.000 mm
Package 1 Length	488.000 mm

## Offer Sustainability

EU RoHS Directive	Pro-active compliance (Product out of EU RoHS legal scope) <a href="#">EU RoHS Declaration</a>
Mercury free	Yes
RoHS exemption information	<a href="#">Yes</a>
China RoHS Regulation	<a href="#">China RoHS declaration</a>
Environmental Disclosure	<a href="#">Product Environmental Profile</a>
Circularity Profile	<a href="#">End of Life Information</a>

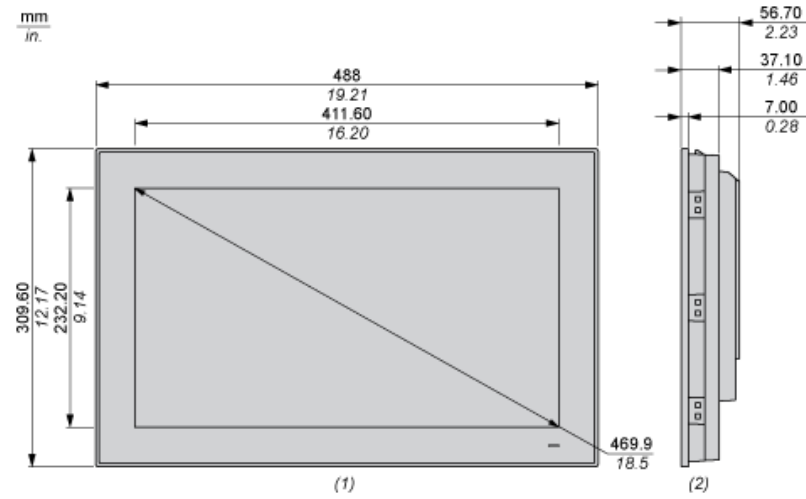
---

WEEE

The product must be disposed on European Union markets following specific waste collection and never end up in rubbish bins

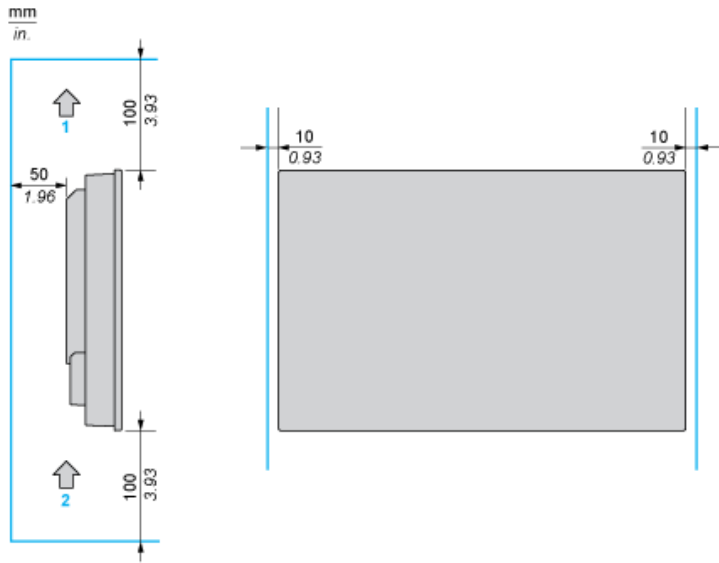
---

Dimensions



- (1) Front view
- (2) Side view

## Spacing Requirements



- (1) Air out
- (2) Air in

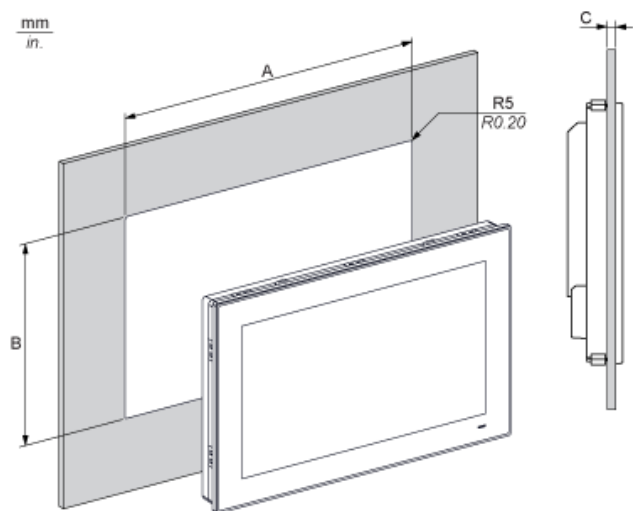
---

Mounting Orientation

---



Panel Cut Dimensions



A	B	C	R
479.3 ±1 mm (18.87 ±0.04 in)	300.3 ±0.7 mm (11.82 ±0.03 in)	2...6 mm (0.08...0.23 in)	5 mm (0.20 in)